

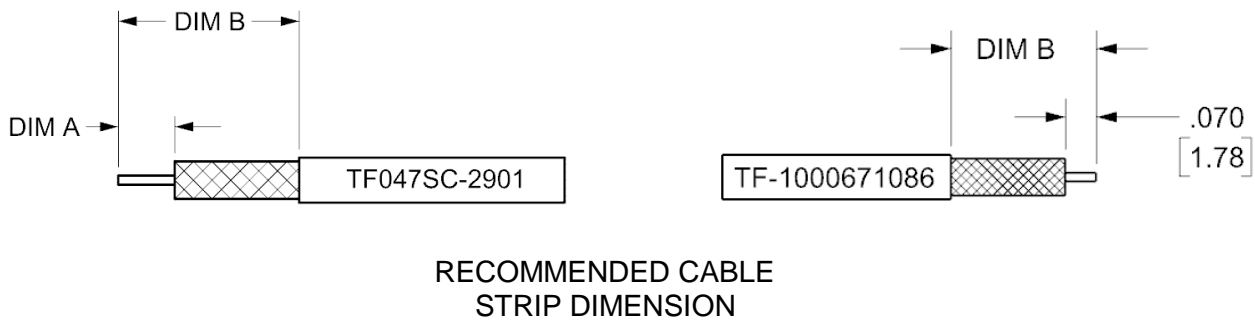
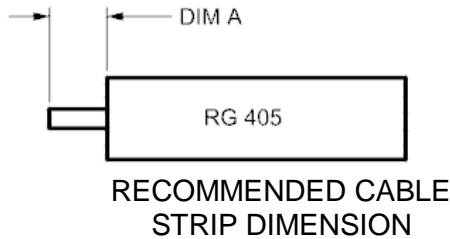
Molex 73251-0051 PDF

molex[®]

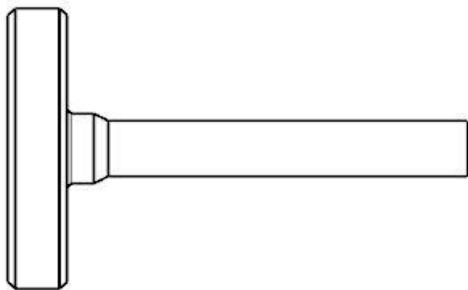
深圳创唯电子有限公司 [http://www.molex-
connect.com](http://www.molex-connect.com)

TABLE "A" - CABLE ASSEMBLY INSTRUCTIONS FOR;

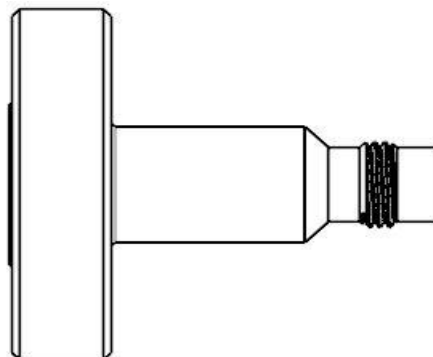
PART NO	DIM 'A' MM/IN	DIM 'B' MM/IN	SHIM SIZE MM/IN	CABLE TYPE
73251-005	1.78 / .070	8.38 / .330	0.381 / .015	RG 405 OR 086 FLEXIBLE
73251-326	1.57 / .062	8.38 / .330	0.330 / .013	RG 405 OR 086 FLEXIBLE
73251-589	1.78 / .070	8.38 / .330	0.381 / .015	RG 405 OR 086 FLEXIBLE
73251-938	1.78 / .070	5.71 / .225	0.381 / .015	TF047SC-2901



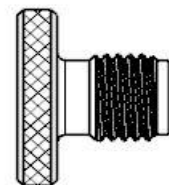
PLUNGER
89676-3401



FUNNEL LOCATOR
89676-3201



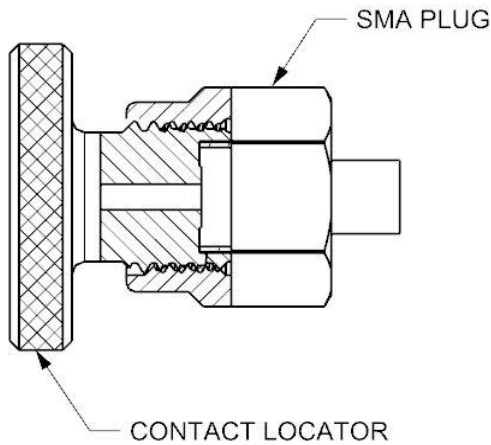
CONTACT LOCATOR
89676-3601



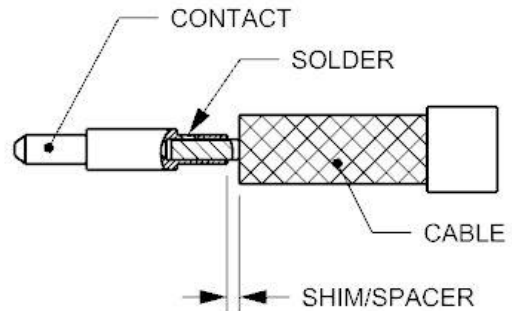
STEP 1: THREAD CONTACT LOCATOR INTO SMA BODY ASSEMBLY.

STEP 2: USE TABLE "A" ON SHEET 1 FOR CABLE STRIP DIMENSION AND SHIM/

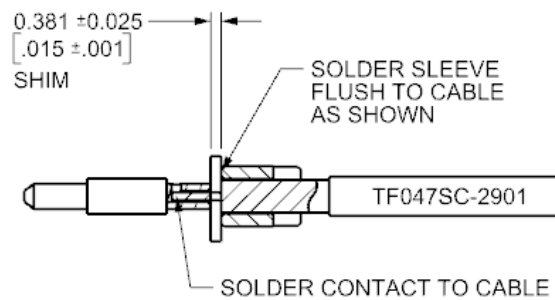
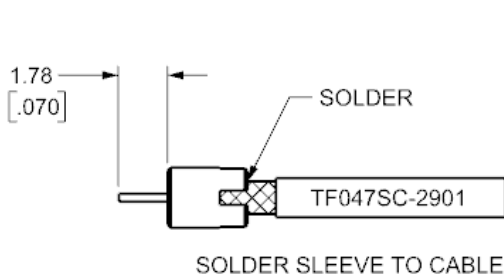
REVISION: A1	ECR/ECN INFORMATION: EC No: 607265 DATE: 2018 / 12 / 14	TITLE: CONTACT LOCATOR AND INSULATOR INSERTION TOOL INSTRUCTIONS FOR SMA .1615 BODY ID DESIGN	SHEET No. 1 of 3
DOCUMENT NUMBER: AS-89675-500	CREATED / REVISED BY: AVN / BSS	CHECKED BY: BBB	APPROVED BY: AZR



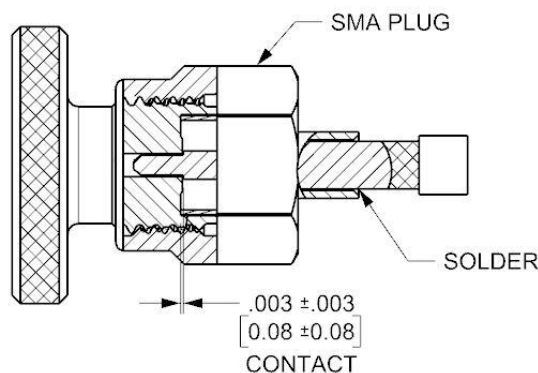
SPACER SIZE.



STEP 2: ONLY FOR 73251-938

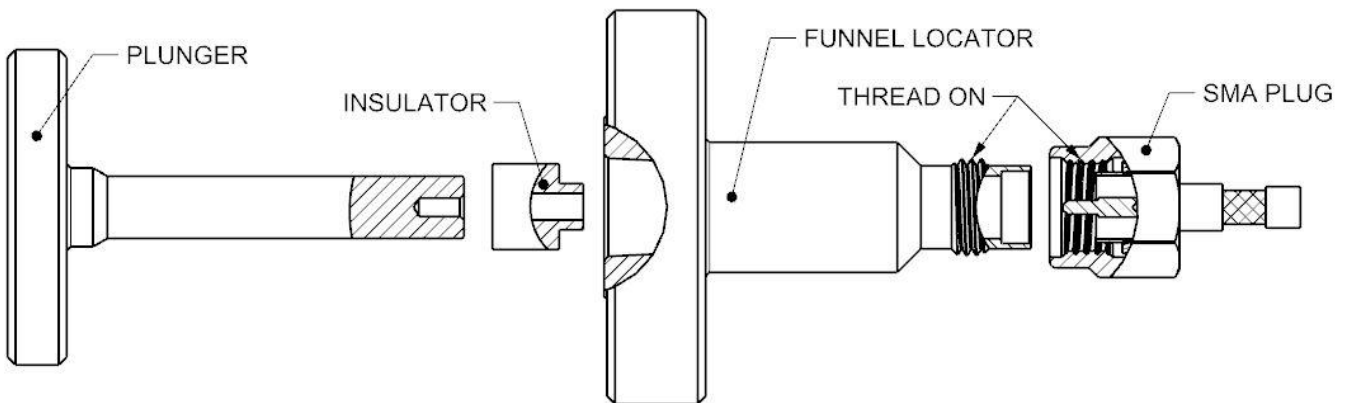


STEP 3: INSERT CABLE ASSEMBLY INTO SMA BODY UNTIL BOTTOMED AND SOLDER CABLE ASSEMBLY TO SMA BODY AS SHOWN.

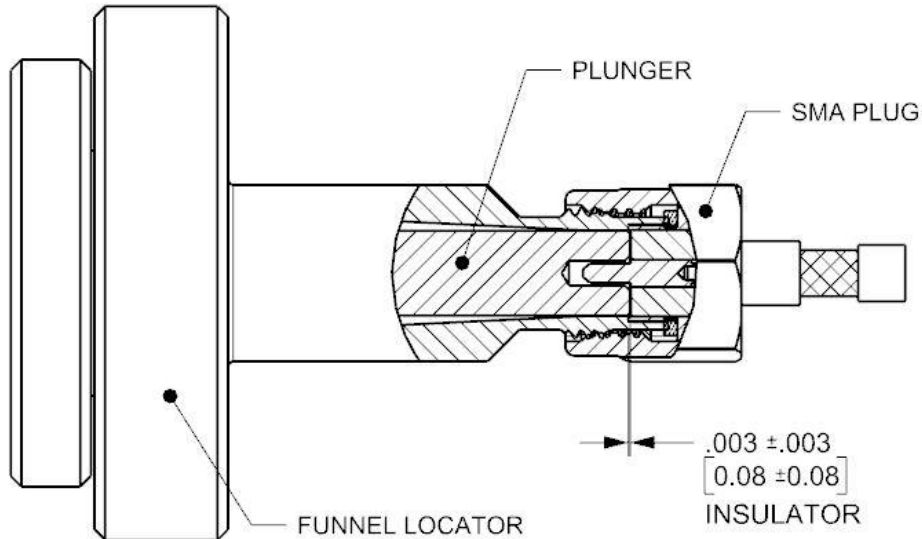


STEP 4: THREAD FUNNEL LOCATOR INTO SMA BODY ASSEMBLY AS SHOWN AND INSERT THE INSULATOR INTO FUNNEL LOCATION AS SHOWN.

REVISION: A1	ECR/ECN INFORMATION: EC No: 607265 DATE: 2018 / 12 / 14	TITLE: CONTACT LOCATOR AND INSULATOR INSERTION TOOL INSTRUCTIONS FOR SMA .1615 BODY ID DESIGN	SHEET No. 2 of 3
DOCUMENT NUMBER: AS-89675-500	CREATED / REVISED BY: AVN / BSS	CHECKED BY: BBB	APPROVED BY: AZR



STEP 5: INSERT THE PLUNGER INTO THE FUNNEL UNTIL IT BOTTOMS AGAINST FUNNEL. THE INSULATOR WILL BE POSITIONED TO DIMENSION SHOWN.



REVISION:	ECR/ECN INFORMATION:	TITLE:	SHEET No.
A1	EC No: 607265 DATE: 2018 / 12 / 14	CONTACT LOCATOR AND INSULATOR INSERTION TOOL INSTRUCTIONS FOR SMA .1615 BODY ID DESIGN	3 of 3
DOCUMENT NUMBER:	CREATED / REVISED BY:	CHECKED BY:	APPROVED BY:
AS-89675-500	AVN / BSS	BBB	AZR